

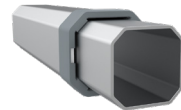
Building up moments.

Technical Data Sheets

Awning Tents



10x10ft Awning Tents



Frame Specifications

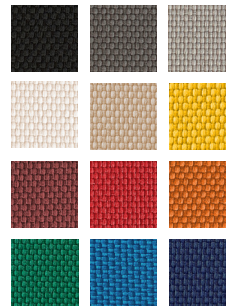
S1

Frame Construction

Frame Material	3x Strong, All-Aluminum (T606)
Leg Shape & Profile	Octagonal Leg, 43mm (2.5mm)
Truss Profile	30x15mm (2.8mm)
Connecting Elements	✓ Aluminum with Rubber Caps
Push-Button Locks	✓ Comfort Press
Corner Brackets	✓ Spring Tension & Corner Clips

Transport Bag	Heavy-Duty PVC with Window
----------------------	----------------------------

Awning Model	Weight	Entrance Height	Peak Height	Awning Depth	Pack Size (L x W x H)
1-Awning	82.7lbs (37.6kg)	6' 8" (202cm)	11' 7" (353cm)	31.4" (80cm)	17.3 x 16.5 x 62"
2-Awning	86.5lbs (39.3kg)	6' 8" (202cm)	11' 7" (353cm)	31.4" (80cm)	20.8 x 20.2 x 66"
3-Awning	95.3lbs (43.3kg)	6' 8" (202cm)	11' 7" (353cm)	31.4" (80cm)	20.8 x 20.2 x 66"
4-Awning	87.3lbs (39.7kg)	6' 8" (202cm)	13' 6" (412.5cm)	31.4" (80cm)	20.8 x 20.2 x 66"



Custom Printing

Individual Logo or Full Surface

Roof Fabric Options

Pirontex®, Oxford Weave 500D Polyester, Heavy-Duty PVC, Fiberglass, Loden

Customization Options

Frame Colors



200+ Custom RAL Colors

Frame Height Extensions

✓ Up to 36"

Peak Flag Capable

✓ Frame & Roof Integrated

Textile Properties

Pirontex®

Oxford 500D

Waterproof Rating

(DIN EN 20811)

✓ 5x Industry Avg

5,000mm Water Column

✓ 2x Industry Avg

1,600mm Water Column

Fire Rating Class

B - s2, d0 (difficult to ignite)

NFPA 701, CPAI-84 Sec.6, EN 13501-1:2019,

CAN/ULC-S109, CA Title 19 Sec. 1237

Color Fade Resistance

(DIN EN ISO 105-B02)

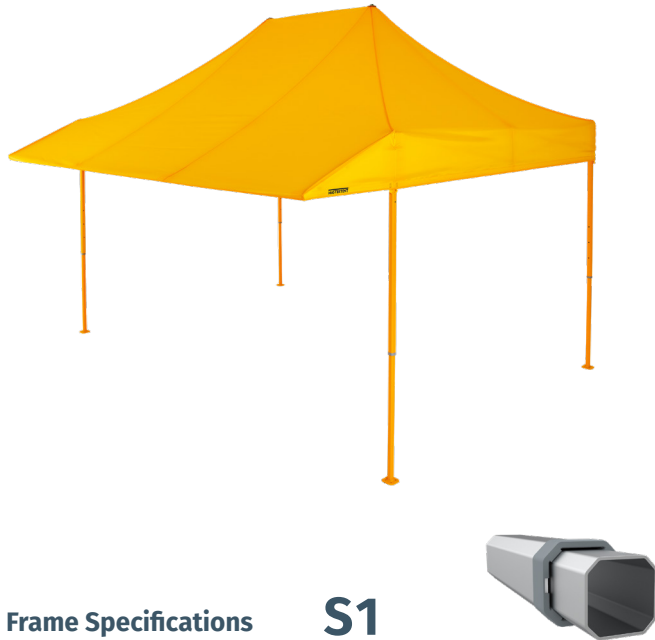
Extreme

(blue scale 7.0-8.0 of 8.0)

Durable

(blue scale 4.5-6.5 of 8.0)

15x10ft Awning Tent Models



Frame Specifications

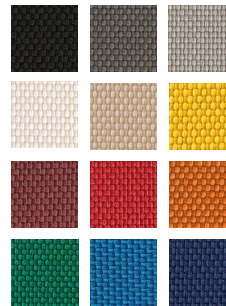
S1

Frame Construction

Frame Material	3x Strong, All-Aluminum (T606)
Leg Shape & Profile	Octagonal Leg, 43mm (2.5mm)
Truss Profile	30x15mm (2.8mm)
Connecting Elements	✓ Aluminum with Rubber Caps
Push-Button Locks	✓ Comfort Press
Corner Brackets	✓ Spring Tension & Corner Clips

Transport Bag	Heavy-Duty PVC with Window
----------------------	----------------------------

Awning Model	Weight	Entrance Height	Peak Height	Awning Depth	Pack Size (L x W x H)
1-Awning	105lbs (47.9kg)	6' 8" (202cm)	11' 7" (353cm)	31.4" (80cm)	22.8 x 17 x 62"
2-Awning	109.3lbs (49.7kg)	6' 8" (202cm)	11' 7" (353cm)	31.4" (80cm)	17 x 28.3 x 62"
3-Awning	116.8lbs (53.1kg)	6' 8" (202cm)	11' 7" (353cm)	31.4" (80cm)	17 x 28.3 x 62"
4-Awning	121lbs (55.1kg)	6' 8" (202cm)	11' 7" (353cm)	25.5" (65cm)	20.8 x 33.5 x 62"



Custom Printing
Individual Logo or Full Surface

Roof Fabric Options
Pirontex®, Oxford Weave 500D
Polyester, Heavy-Duty PVC, Fiberglass, Loden

Customization Options

Frame Colors



Frame Height Extensions

✓ Up to 36"

Peak Flag Capable

✓ Frame & Roof Integrated

Textile Properties

Waterproof Rating (DIN EN 20811)

Pirontex®

✓ 5x Industry Avg
5,000mm Water Column

Oxford 500D

✓ 2x Industry Avg
1,600mm Water Column

Fire Rating Class

B - s2, d0 (difficult to ignite)

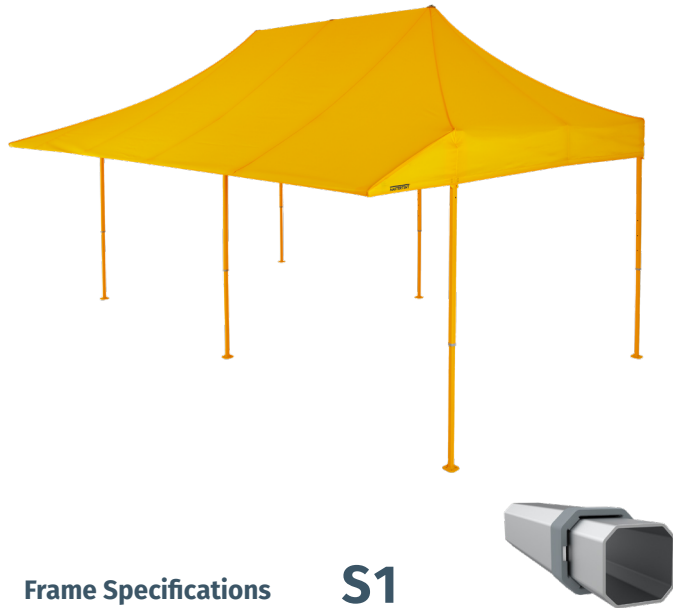
NFPA 701, CPAI-84 Sec.6, EN 13501-1:2019,
CAN/ULC-S109, CA Title 19 Sec. 1237

Color Fade Resistance (DIN EN ISO 105-B02)

Extreme
(blue scale 7.0-8.0 of 8.0)

Durable
(blue scale 4.5-6.5 of 8.0)

20x10ft Awning Tent Models



Frame Specifications

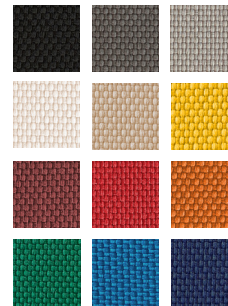
S1

Frame Construction

Frame Material	3x Strong, All-Aluminum (T606)
Leg Shape & Profile	Octagonal Leg, 43mm (2.5mm)
Truss Profile	30x15mm (2.8mm)
Connecting Elements	✓ Aluminum with Rubber Caps
Push-Button Locks	✓ Comfort Press
Corner Brackets	✓ Spring Tension & Corner Clips

Transport Bag	Heavy-Duty PVC with Window
----------------------	----------------------------

Awning Model	Weight	Entrance Height	Peak Height	Awning Depth	Pack Size (L x W x H)
1-Awning	140.8lbs (64kg)	6' 8" (202cm)	11' 7" (353cm)	31.4" (80cm)	29.5 x 17 x 62"
2-Awning	144lbs (65.6kg)	6' 8" (202cm)	11' 7" (353cm)	31.4" (80cm)	20.8 x 33.5 x 62"
3-Awning	152.9lbs (69.5kg)	6' 8" (202cm)	11' 7" (353cm)	31.4" (80cm)	20.8 x 33.5 x 62"
4-Awning	159.5lbs (72.5kg)	6' 8" (202cm)	11' 7" (353cm)	25.5" (65cm)	20.8 x 33.5 x 62"



Custom Printing
Individual Logo or Full Surface

Roof Fabric Options
Pirontex®, Oxford Weave 500D
Polyester, Heavy-Duty PVC, Fiberglass, Loden

Customization Options

Frame Colors



Frame Height Extensions

✓ Up to 36"

Peak Flag Capable

✓ Frame & Roof Integrated

Textile Properties

Pirontex®

Oxford 500D

Waterproof Rating
(DIN EN 20811)

✓ 5x Industry Avg
5,000mm Water Column

✓ 2x Industry Avg
1,600mm Water Column

Fire Rating Class
B - s2, d0 (difficult to ignite)

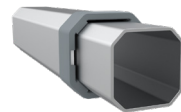
NFPA 701, CPAI-84 Sec.6, EN 13501-1:2019,
CAN/ULC-S109, CA Title 19 Sec. 1237

Color Fade Resistance
(DIN EN ISO 105-B02)

Extreme
(blue scale 7.0-8.0 of 8.0)

Durable
(blue scale 4.5-6.5 of 8.0)

13x13ft Awning Tent Models



Frame Specifications

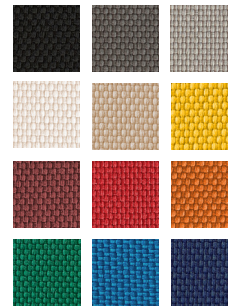
S1

Frame Construction

Frame Material	3x Strong, All-Aluminum (T606)
Leg Shape & Profile	Octagonal Leg, 43mm (2.5mm)
Truss Profile	30x15mm (2.8mm)
Connecting Elements	✓ Aluminum with Rubber Caps
Push-Button Locks	✓ Comfort Press
Corner Brackets	✓ Spring Tension & Corner Clips

Transport Bag	Heavy-Duty PVC with Window
----------------------	----------------------------

Awning Model	Weight	Entrance Height	Peak Height	Awning Depth	Pack Size (L x W x H)
1-Awning	106.9lbs (48.6kg)	7' 1" (216cm)	13' 6" (412.5cm)	31.4" (80cm)	17.3 x 16.5 x 81"
2-Awning	114lbs (51.8kg)	7' 1" (216cm)	13' 6" (412.5cm)	31.4" (80cm)	21.2 x 20.5 x 81"
3-Awning	121.4lbs (55.2kg)	7' 1" (216cm)	13' 6" (412.5cm)	31.4" (80cm)	21.2 x 20.5 x 81"
4-Awning	117.7lbs (53.5kg)	7' 1" (216cm)	13' 6" (412.5cm)	31.4" (80cm)	21.2 x 20.5 x 81"



Custom Printing
Individual Logo or Full Surface

Roof Fabric Options
Pirontex®, Oxford Weave 500D
Polyester, Heavy-Duty PVC, Fiberglass, Loden

Customization Options

Frame Colors



200+ Custom RAL Colors

Frame Height Extensions

✓ Up to 36"

Peak Flag Capable

✓ Frame & Roof Integrated

Textile Properties

Waterproof Rating (DIN EN 20811)

Pirontex®

✓ 5x Industry Avg
5,000mm Water Column

Oxford 500D

✓ 2x Industry Avg
1,600mm Water Column

Fire Rating Class

B - s2, d0 (difficult to ignite)

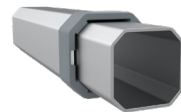
NFPA 701, CPAI-84 Sec.6, EN 13501-1:2019,
CAN/ULC-S109, CA Title 19 Sec. 1237

Color Fade Resistance (DIN EN ISO 105-B02)

Extreme
(blue scale 7.0-8.0 of 8.0)

Durable
(blue scale 4.5-6.5 of 8.0)

20x13ft Awning Tent Models



Frame Specifications

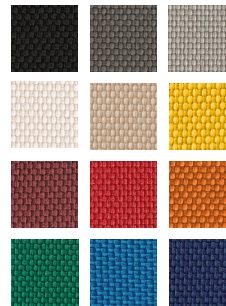
S1

Frame Construction

Frame Material	3x Strong, All-Aluminum (T606)
Leg Shape & Profile	Octagonal Leg, 43mm (2.5mm)
Truss Profile	30x15mm (2.8mm)
Connecting Elements	✓ Aluminum with Rubber Caps
Push-Button Locks	✓ Comfort Press
Corner Brackets	✓ Spring Tension & Corner Clips

Transport Bag	Heavy-Duty PVC with Window
----------------------	----------------------------

Awning Model	Weight	Entrance Height	Peak Height	Awning Depth	Pack Size (L x W x H)
1-Awning	82.7lbs (37.6kg)	6' 8" (202cm)	11' 7" (353cm)	31.4" (80cm)	17.3 x 16.5 x 62"
2-Awning	86.5lbs (39.3kg)	6' 8" (202cm)	11' 7" (353cm)	31.4" (80cm)	20.8 x 20.2 x 66"
3-Awning	95.3lbs (43.3kg)	6' 8" (202cm)	11' 7" (353cm)	31.4" (80cm)	20.8 x 20.2 x 66"
4-Awning	87.3lbs (39.7kg)	6' 8" (202cm)	13' 6" (412.5cm)	31.4" (80cm)	20.8 x 20.2 x 66"



Custom Printing
Individual Logo or Full Surface

Roof Fabric Options
Pirontex®, Oxford Weave 500D
Polyester, Heavy-Duty PVC, Fiberglass, Loden

Customization Options

Frame Colors



200+ Custom RAL Colors

Frame Height Extensions

✓ Up to 36"

Peak Flag Capable

✓ Frame & Roof Integrated

Textile Properties

Pirontex®

Oxford 500D

Waterproof Rating
(DIN EN 20811)

✓ 5x Industry Avg
5,000mm Water Column

✓ 2x Industry Avg
1,600mm Water Column

Fire Rating Class
B - s2, d0 (difficult to ignite)

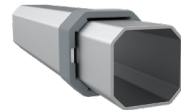
NFPA 701, CPAI-84 Sec.6, EN 13501-1:2019,
CAN/ULC-S109, CA Title 19 Sec. 1237

Color Fade Resistance
(DIN EN ISO 105-B02)

Extreme
(blue scale 7.0-8.0 of 8.0)

Durable
(blue scale 4.5-6.5 of 8.0)

26x13ft Awning Tent Models



Frame Specifications

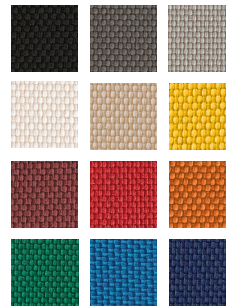
S1

Frame Construction

Frame Material	3x Strong, All-Aluminum (T606)
Leg Shape & Profile	Octagonal Leg, 43mm (2.5mm)
Truss Profile	30x15mm (2.8mm)
Connecting Elements	✓ Aluminum with Rubber Caps
Push-Button Locks	✓ Comfort Press
Corner Brackets	✓ Spring Tension & Corner Clips

Transport Bag	Heavy-Duty PVC with Window
----------------------	----------------------------

Awning Model	Weight	Entrance Height	Peak Height	Awning Depth	Pack Size (L x W x H)
1-Awning	82.7lbs (37.6kg)	6' 8" (202cm)	11' 7" (353cm)	31.4" (80cm)	17.3 x 16.5 x 62"
2-Awning	86.5lbs (39.3kg)	6' 8" (202cm)	11' 7" (353cm)	31.4" (80cm)	20.8 x 20.2 x 66"
3-Awning	95.3lbs (43.3kg)	6' 8" (202cm)	11' 7" (353cm)	31.4" (80cm)	20.8 x 20.2 x 66"
4-Awning	87.3lbs (39.7kg)	6' 8" (202cm)	13' 6" (412.5cm)	31.4" (80cm)	20.8 x 20.2 x 66"



Custom Printing

Individual Logo or Full Surface

Roof Fabric Options

Pirontex®, Oxford Weave 500D Polyester, Heavy-Duty PVC, Fiberglass, Loden

Customization Options

Frame Colors



200+ Custom RAL Colors

Frame Height Extensions

✓ Up to 36"

Peak Flag Capable

✓ Frame & Roof Integrated

Textile Properties

Pirontex®

Oxford 500D

Waterproof Rating
(DIN EN 20811)

✓ 5x Industry Avg
5,000mm Water Column

✓ 2x Industry Avg
1,600mm Water Column

Fire Rating Class
B - s2, d0 (difficult to ignite)

NFPA 701, CPAI-84 Sec.6, EN 13501-1:2019,
CAN/ULC-S109, CA Title 19 Sec. 1237

Color Fade Resistance
(DIN EN ISO 105-B02)

Extreme
(blue scale 7.0-8.0 of 8.0)

Durable
(blue scale 4.5-6.5 of 8.0)